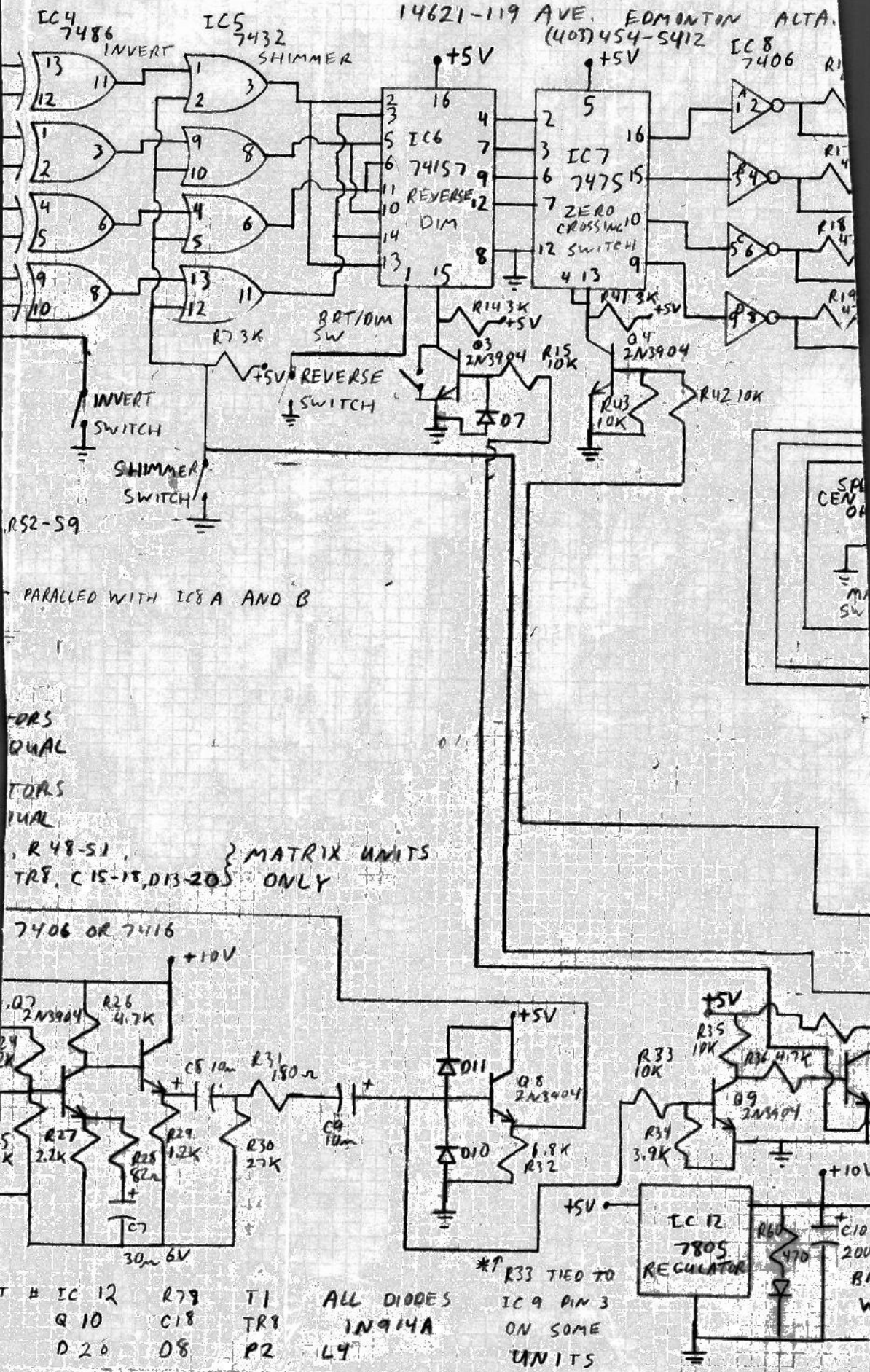


ALL ELECTROLYTICS NEED HAVE ONLY A 10V RATING EXCEPT LAS
AS MARKED
C11-18 = .01 ufd 250V MINIMUM

CONTROLLER

FRASER ELECTRONICS
 14621-119 AVE. EDMONTON ALTA.
 (403) 454-5412



R52-S9

PARALLELED WITH IC8 A AND B

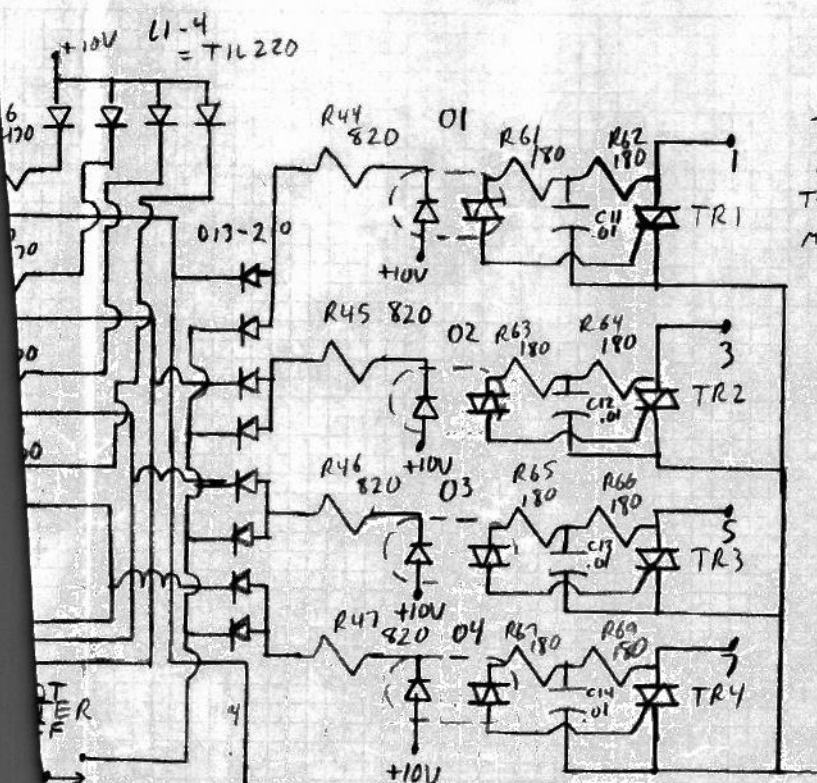
FOR
 DUAL
 FOR
 DUAL

R48-S1 } MATRIX UNITS
 TR8, C15-18, D13-20 } ONLY

7406 OR 7416

# IC 12	R78	T1
Q 10	C18	TR8
D 20	O8	P2

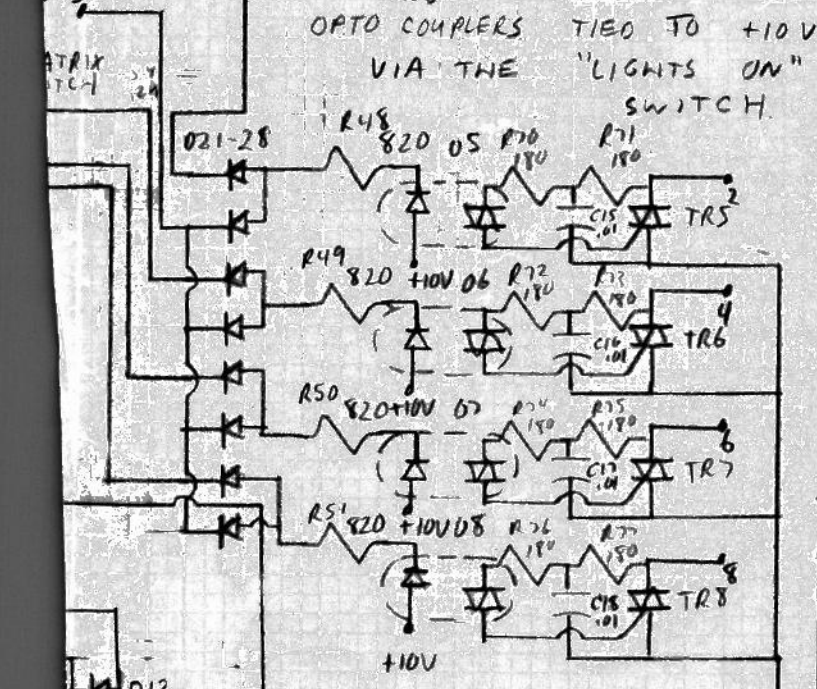
*R33 TIED TO IC 9 PIN 3 ON SOME UNITS



TRIACS
 AS REQUIRED
 TEXAS TIC216B
 MOTOROLA 3SC141B
 GE
 HUTSON ET28
 OR EQUIVALENT
 - MAY VARY ON
 HIGH POWER
 MODELS.

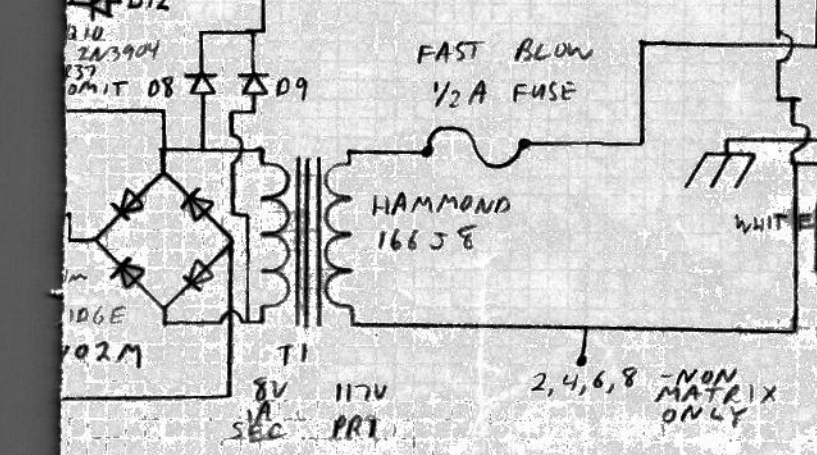
OUTPUT CONNECTOR
 = CINCH JONES
 S2408 DB
 MALE CONNECTOR
 = P2408 CCT

OPTO COUPLERS TIED TO +10V
 VIA THE "LIGHTS ON"
 SWITCH.



FAST BLOW
 15A
 FUSE

FAST BLOW
 1/2 A FUSE



BLACK
 WHITE
 117VAC
 15 AMPS

2, 4, 6, 8 - NON
 MATRIX
 ONLY

MAR 25, 1980
 J. Fisher
 ©